

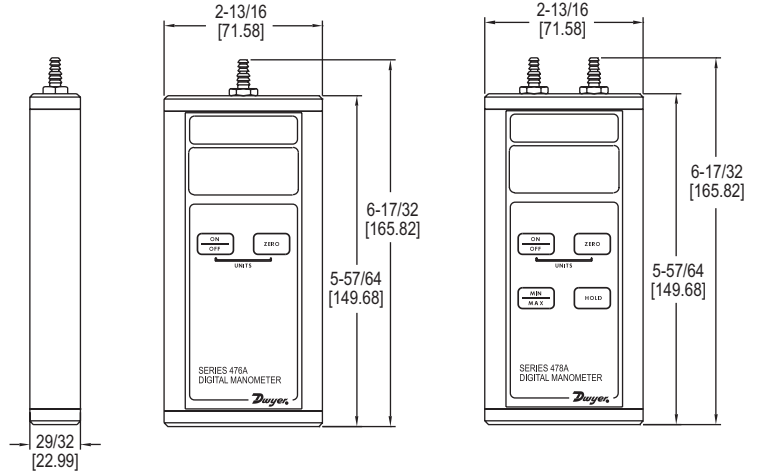


SERIES 476A & 478A



SINGLE PRESSURE DIFFERENTIAL PRESSURE DIGITAL MANOMETERS

Electronic Zeroing, $\pm 1.5\%$ Accuracy



The **SERIES 476A** Single Pressure Digital Manometer can be used to measure low pressures from -20 to 20 in w.c. with $\pm 1.5\%$ FS accuracy. The **SERIES 478A** Differential Pressure Digital Manometer can be used to measure positive, negative, or differential pressures. Both units are constructed of an extruded aluminum case for exceptional durability.

FEATURES/BENEFITS

- $\pm 0.5\%$ FS accuracy
- Rugged extruded aluminum housing
- One button auto-zero function
- Auto power off function to conserve battery life
- Instant selection of up to nine English/metric units

APPLICATIONS

- Verify field instrumentation performance
- Adjust fuel mixture on combustion systems

SPECIFICATIONS

Service: Air and compatible gases.
Wetted Materials: Consult factory.
Accuracy: $\pm 1.5\%$ FS at 72°F (22.2°C). Includes linearity and repeatability.
Pressure Hysteresis: $\pm 0.1\%$ FS.
Pressure Limits: 5 psig (.74 bar).
Temperature Limits: 0 to 140°F (-17.8 to 60°C).
Compensated Temperature Limits: 32 to 104°F (0 to 40°C).
Thermal Effect: 0.05% FS/°F.
Display: 4 digit LCD (.425"H x .234"W digits).
Power Requirements: 9 V alkaline battery, installed non-functional, user replaceable.
Process Connections: For use with 3/16" or 1/4" ID tubing.
Weight: 10.8 oz (306 g).
Agency Approvals: CE.

MODEL CHART

| Model | Range in w.c. | Available Pressure Units | | | | | | | | Resolution in w.c. | Maximum Pressure | |
|--------|---------------|--------------------------|-------|-------|-------|---------|-------|-------|---------|--------------------|------------------|--------|
| | | bar | psi | in Hg | kPa | in w.c. | mm Hg | mbar | mm w.c. | | | Pa |
| 476A-0 | -20.0 to 20.0 | .0498 | 0.723 | 1.471 | 4.98 | 20.00 | 37.4 | 49.8 | 508 | - | 0.02 | 5 psig |
| 478A-0 | -4.00 to 4.00 | - | .1445 | .294 | 0.996 | 4.00 | 7.47 | 9.96 | 101.6 | 996 | 0.01 | 5 psig |
| 478A-1 | -60.0 to 60.0 | .1495 | 2.168 | 4.41 | 14.95 | 60.0 | 112.1 | 149.5 | 1524 | - | 0.1 | 5 psig |

OPTIONS

| To order add suffix: | Description |
|----------------------|--|
| -NIST | NIST traceable calibration certificate |

Example: 478A-1-NIST

ACCESSORIES

| Model | Description |
|------------|---|
| A-402A | Carrying case, tough gray nylon pouch protects any Series 476A/478A manometer, double zippered for quick and easy access, belt loop that snaps closed, 7-1/2"H x 3"W x 2-1/4"D (191 x 76 x 57 mm) |
| UHH-C1 | Soft carrying case |
| A-47X-BOOT | Protective magnetic rubber boot |



Manometers, Portable