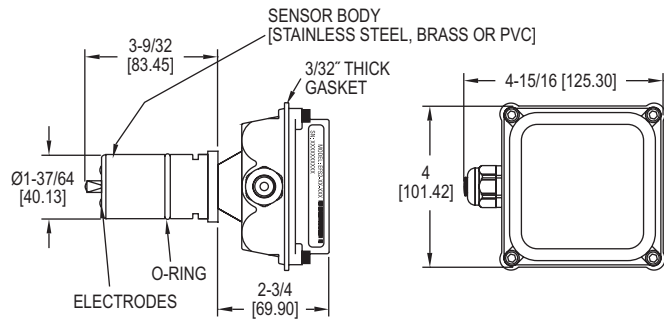


INSERTION ELECTROMAGNETIC FLOW SENSOR

No Moving Parts, Durable, Easy Installation & Maintenance, 1 to 12" Pipe (25 to 305 mm)



The **SERIES EFS2** Insertion Electromagnetic Flow Transmitters is an economical, fixed insertion flowmeter designed for use with the Series EFF fittings and tees to fit in pipe sizes ranging from 1 to 12" (2.5 to 30.5 cm) pipes. This series provides a pulse rate output of the flow.

FEATURES/BENEFITS

- Long life cycle and less frequent maintenance with no moving parts to wear or break and electrodes that discourage fouling
- Unaffected by change in temperature, density, viscosity or concentration
- Pulse output for use with a variety of displays and controllers for remote reading
- Easy meter mount display and transmitter accessories for local indication and analog 4 to 20 mA output

APPLICATIONS

- Contaminated liquid flow monitoring
- Flow of conductive liquids
- Water & wastewater treatment
- Industrial systems
- Irrigation applications
- Telemetry applications

MODEL CHART				
Example	EFS2	-1P	-RFO	EFS2-1P-RFO
Series	EFS2			Insertion electromagnetic flow sensor
Size/ Material		1P 1B 1S 2P 2B 2S 3P 3B 3S		1 to 3" pipe, PVC 1 to 3" pipe, brass 1 to 3" pipe, 316 SS 4 to 10" pipe, PVC 4 to 10" pipe, brass 4 to 10" pipe, 316 SS 12" pipe, PVC 12" pipe, brass 12" pipe, 316 SS
Options			BAT RFO IMM FOR LOP	Blind analog transmitter Reverse flow output Immersible (urethane potted electrical connection) Fluoroelastomer O-ring Low power (12 to 25 VDC @ 40 mA) (max 250 mA)

Note: Need to purchase with Series EFF fitting for proper installation.

MODEL CHART			
Stocked Model	Description	Pipe Size	Material
EFS2-1P	Insertion electromagnetic flow sensor	1 to 3"	PVC
EFS2-1B	Insertion electromagnetic flow sensor	1 to 3"	Brass
EFS2-1S	Insertion electromagnetic flow sensor	1 to 3"	SS
EFS2-2B	Insertion electromagnetic flow sensor	4 to 10"	Brass
EFS2-3B	Insertion electromagnetic flow sensor	12"	Brass

SPECIFICATIONS	
Service:	Compatible clean or dirty non-coating, conductive liquids.
Range:	0.28 to 20 ft/s (0.08 to 6.09 m/s).
Wetted Materials:	Sensor: 316 SS, brass or PVC; Electrodes: Hastelloy®, metal; Electrode Cap: PVDF; O-ring: EPDM (fluoroelastomer optional).
Accuracy:	±1% FS.
Temperature Limits:	Process: Brass/SS: 32 to 200°F (0 to 93°C); PVC: 32 to 130°F (0 to 55°C); Ambient: 0 to 160°F (-17 to 72°C).
Pressure Limits:	Brass/SS: 200 psi (13.8 bar); PVC: 150 psi (10 bar).
Process Connection:	See page reference 1 below.
Output:	Current sinking, square wave pulse, opto-isolated, 550 Hz @ 20 ft/s.
Power Requirements:	12 to 25 VDC @ 250 mA; (12 to 25 VDC @ 40 mA (max. 250 mA) - LOP option).
Electrical Connection:	Terminal block.
Conductivity:	20 microSiemens/cm.
Enclosure Material:	Housing: Die-cast powder-coated aluminum.
Enclosure Rating:	NEMA 4X (IP66).
Weight:	3 lb (1361 g).

ACCESSORIES	
Series	Description
BAT ①	Blind analog transmitter; converts pulse output to 4 to 20 mA analog output; unit is loop powered, fits on the enclosure of the meter, and is field spannable.
RTI2 ②	Rate total indicator; converts pulse output to 4 to 20 mA analog output with local flow rate and totalization display; unit is loop powered, can fit on the enclosure of the meter, and provides a high/low flow alarm.
PWD	Pulse divider, for use with pacing electronic metering pumps; unit divides the input frequency to any number from 1 to 9999 with the use of rotary switches to suit a number of metering pump inputs. (See website)

USA: California Proposition 65
 ⚠WARNING: Cancer and Reproductive Harm - www.P65Warnings.ca.gov

Hastelloy® is a registered trademark of Hanes International
 ①Process Connection: See page 318 (Series EFF)
 ②See page 326 (Series BAT)
 ③See page 326 (Series RTI)