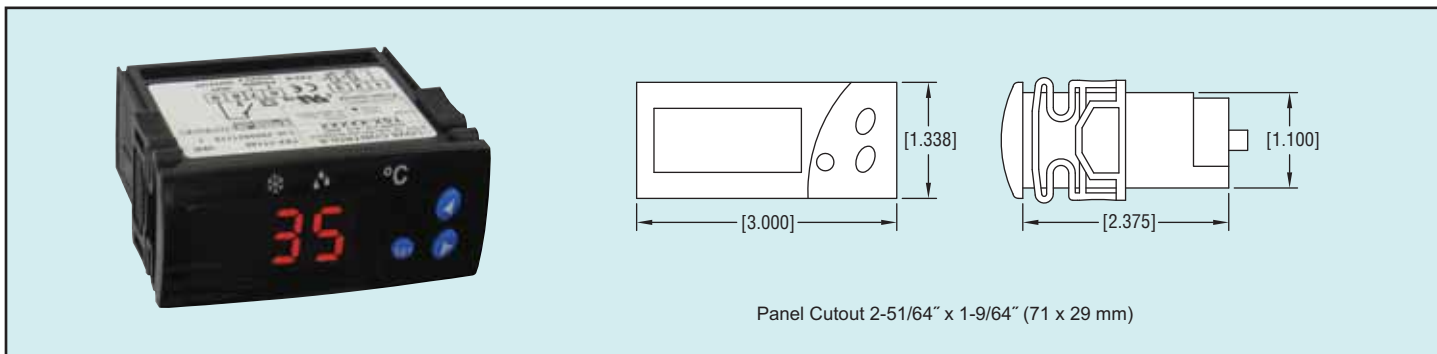




Series
TSX

Digital Temperature Switch

Dual Input, Cooling Applications, Single or Dual Relay Output



Panel Cutout 2-51/64" x 1-9/64" (71 x 29 mm)

The microprocessor based Series TSX offers a low cost solution for cooling applications. Units are designed to accept up to two temperature probes selectable between PTC or NTC thermistor input. The probe temperature is displayed on the bright 3-digit LED.

The Series TSX offers 23 programming parameters for specific application requirements. To quickly program multiple units with the same settings, use the configuration key TS2-K (sold separately). The user can define set point, hysteresis, probe error performance, and defrosting. The defrosting mode can also be initiated or interrupted manually by pressing the up arrow button. Units include password protection to secure from unwanted setting changes except for set point adjustment. If required, the keypad can be locked out so no adjustments can be made.

Select from single output units with one 16A SPST relay dual output with one 16A SPST relay and one 8A SPDT relay for defrosting or three output models with one 16A SPST, 8A SPST and 5A SPDT. The temperature switch includes one NTC probe, gasket, mounting clips, and instruction manual.

SPECIFICATIONS

Probe Range:

PTC: -58 to 302°F (-50 to 150°C);

NTC: -58 to 230°F (-50 to 110°C).

Input: PTC thermistor 1000Ω @ 25°C; NTC thermistor 10000Ω @ 25°C.

Output: All models include 16A SPST relay @ 250 VAC resistive, 5A inductive; Dual output units also have one 8A SPDT relay @ 250 VAC resistive, 3A inductive, 3 output models also have 5A SPDT @ 250 VAC and 8A SPST @ VAC.

Horsepower Rating (HP): 16A: 1HP 240 VAC - 10FLA, 60LRA 250 VAC.

Control Type: ON/OFF.

Power Requirements: 110 VAC; 230 VAC; 24 VAC/DC; (depending on model).

Accuracy: ±1% F.S.

Display: 3-digit, red, 1/2" (12.7 mm) digits.

Resolution: 0.1° (<100°); 1° (≥100°).

Memory Backup: Nonvolatile memory.

Temperature Limit: Ambient: 32 to 158°F (0 to 70°C).

Storage Temperature: -4 to 176°F (-20 to 80°C).

Weight: 2.3 oz (65 g).

Front Panel Rating: IP64.

Agency Approvals: CE, UL.

ACCESSORIES

See page 280

Dual Input, Single Output		
Model	Supply Voltage	Degrees
TSX-10140	110 VAC	°F
TSX-11140	110 VAC	°C
TSX-20140	230 VAC	°F
TSX-21140	230 VAC	°C
TSX-40140	24 VAC/DC	°F
TSX-41140	24 VAC/DC	°C
Dual Input, Dual Output		
Model	Supply Voltage	Degrees
TSX-10240	110 VAC	°F
TSX-11240	110 VAC	°C
TSX-20240	230 VAC	°F
TSX-21240	230 VAC	°C
TSX-40240	24 VAC/DC	°F
TSX-41240	24 VAC/DC	°C
Dual Input, Three Output		
Model	Supply Voltage	Degrees
TSX-10340	110 VAC	°F
TSX-11340	110 VAC	°C
TSX-20340	230 VAC	°F
TSX-21340	230 VAC	°C
TSX-40340	24 VAC/DC	°F
TSX-41340	24 VAC/DC	°C