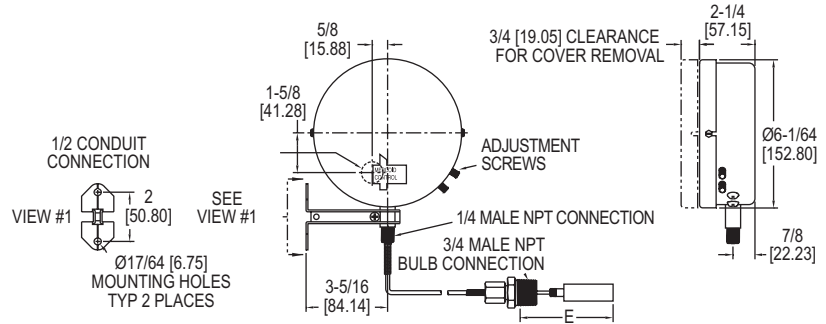


TEMPERATURE SWITCHES

Bulb and Capillary, Inert Gas Fill



The **SERIES DA-7035N** Temperature Switches include the same time-proven switching mechanism used in our Series DA pressure switches. Bourdon tube ensures high sensitivity and long life.

FEATURES/BENEFITS

- Adjustable deadband
- No cross ambient temperature effects
- Visible dial calibrated in both °F and °C
- Visible on/off indication

APPLICATIONS

- Mechanical process temperature monitoring

MODEL CHART				
Model	Range °F (°C)	Max. Temp. °F (°C)	Min. Deadband °F (°C)	Min. Insertion Depth "E" in. (mm)
DA-7035-153-1N	-60 to +30 (-50 to 0)	150 (65)	23 (13)	2-7/8 (73)
DA-7035-153-3N	0 to 100 (-18 to 40)	240 (115)	25 (14)	2-7/8 (73)
DA-7035-153-4N	50 to 150 (10 to 65)	250 (120)	25 (14)	2-7/8 (73)
DA-7035-153-5N	100 to 200 (40 to 95)	300 (150)	25 (14)	2-7/8 (73)
DA-7035-153-7N	140 to 300 (60 to 150)	500 (260)	41 (23)	2-7/8 (73)
DA-7035-153-8N	250 to 415 (120 to 215)	550 (290)	42 (23)	2-7/8 (73)
DA-7035-153-9N	350 to 550 (175 to 290)	600 (315)	50 (28)	4-7/8 (124)
DA-7035-153-10N	100 to 300 (40 to 150)	500 (260)	50 (28)	2-7/8 (73)
DA-7035-153-11N	100 to 500 (40 to 260)	600 (315)	100 (56)	2-7/8 (73)

Note: Insertion depth can be increased through use of bulb supports or wells. Consult factory.

SPECIFICATIONS

Service: Compatible liquids or gases.
Wetted Materials: Bulb and connection: 304 SS.
Temperature Limit: Process: See model chart; Ambient: 180°F (82°C).
Pressure Limit: 300 psi (20.6 bar).
Enclosure Rating: General purpose. Optional weatherproof and explosion-proof.
Repeatability: ±1% FS.
Switch Type: SPDT snap switch. Optional DPDT snap and a variety of mercury switches.
Electrical Rating: 10 A @ 120/240/480 VAC.
Electrical Connections: Screw terminal.
Conduit Connection: 7/8" (22.23 mm) hole for 1/2" (12.7 mm) conduit hub.
Process Connection: 3/4" male NPT. Other sizes available.
Set Point Adjustment: External knobs for set point and reset point.
Weight: 5 lb (2.3 kg).
Deadband: Adjustable from minimum in model chart to full range. Optional low fixed deadband.
Capillary: 6' (1.8 m) standard. Ranges 1N to 7N, and 10N: copper. Ranges 8N, 9N, 11N: 304 SS.
Set Point Scale: Indication in °F and °C.
Options: See web page for additional option models such as: switch type enclosures, fixed deadband, longer or shorter capillary, armored capillary, wells, two stage, 1/2" or 1" connection sizes, manual reset.

Temperature Switches, Mechanical