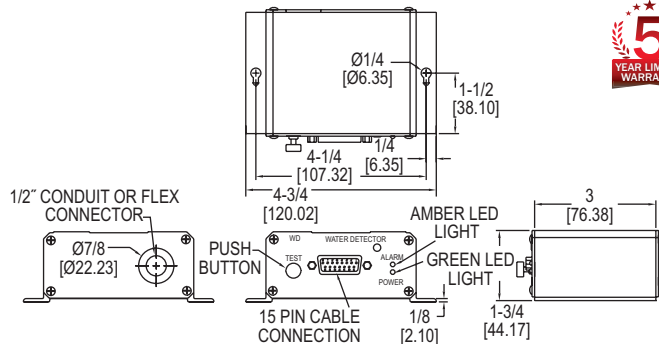
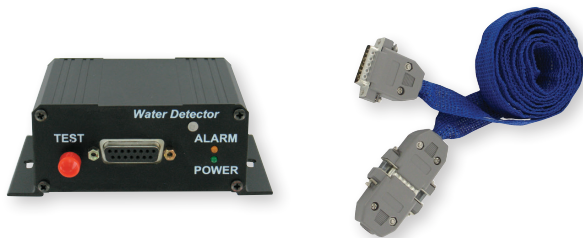


SERIES WD | W.E. ANDERSON™ BY DWYER

WATER DETECTOR AND SENSOR TAPE

Detects Low Levels Of Conductive Liquids, Large Measuring Area



The **SERIES WD** Water Detectors and Sensor Tapes is designed for dependable detection of water presence even of low conductive liquids. The water sensing tape attaches to module and if any liquid comes in contact with the tape the resistance is changed and the alarm will be triggered. The sensing tape is 1" wide and can be bought in lengths of 5, 10, 15 and 25' and is powered by 24 VAC or 24 to 30 VDC.

FEATURES/BENEFITS

- Sturdy and reliable aluminum enclosure
- Hydrophobic tape does not absorb any liquid allowing for faster drying time and faster return to service after water leak
- Multiple tapes can be connected together to extend the coverage area

APPLICATIONS

- Drip pans under HVAC equipment
- Computer rooms
- Telecommunication facilities
- Leak detection around water pumps

SPECIFICATIONS

Service: Conductive liquid.

Switch Type: DPDT.

Electrical Rating: 1 A @ 24 VAC/VDC.

Power Requirements: 24 VAC, 24 to 30 VDC.

Power Consumption: 35 mA maximum.

Electrical Connections: Screw terminals.

Conduit Connections: Hole for 1/2" conduit.

Enclosure: Extruded aluminum.

Sensor Tape: 1" (25.4 mm) wide and 5', 10', 15' or 25' long.

Weight: 8 oz (.23 kg).

MODEL CHART

Model	Description
WD	Water module
TP05	5' (1.52 m) tape
TP10	10' (3.05 m) tape
TP15	15' (4.57 m) tape
TP25	25' (7.62 m) tape