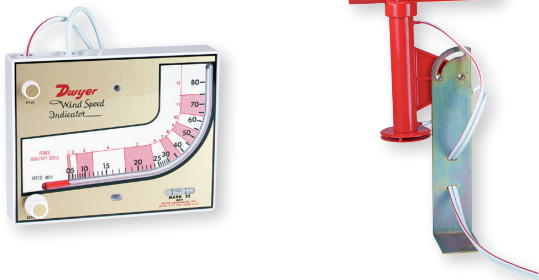
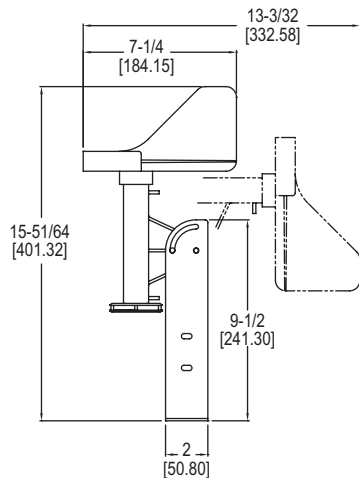
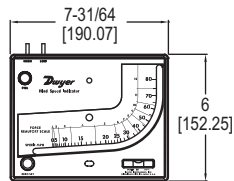


## SERIES MARK II

## WIND SPEED INDICATOR



Includes ABS plastic vane, 50' tubing, mounting hardware and gage fluid.



The **SERIES MARK II** Wind Speed Indicator indicates wind speed directly on the liquid filled scale reading in both miles per hour (0-80) and Beaufort scale (1-12). A metric model is also available, which reads the same as above, but reading 0-130 kilometers per hour. The Mark II Wind Speed Indicator is an accurate, economically priced option for measuring wind speed.

MODEL CHART	
Model	Scale
Mark II WSI	mph
Mark II WSI Metric	kph

## FEATURES/BENEFITS

- Durable molded white instrument with gold scale
- English and metric units available

## APPLICATIONS

- Weather monitoring stations