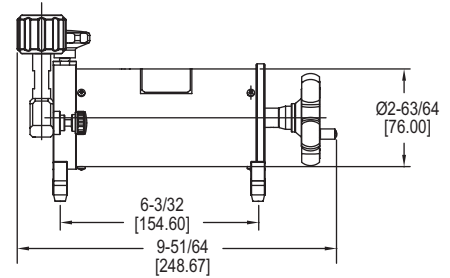
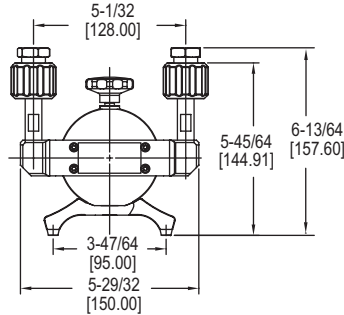


**Dwyer**

MODEL LPCP

# LOW PRESSURE CALIBRATION PUMP

High Resolution for Calibrating Low Pressure Gages and Transmitters



The **MODEL LPCP Low Pressure Calibration Pump** is a low air pressure source with the ability to easily adjust and stabilize. It is made up of quick connectors for fast instrument connect and disconnect.

## FEATURES/BENEFITS

- Heat insulator between the cover and pressure chamber lessens the heat effect during micro-pressure calibration
- Highly stable adjustment

## APPLICATIONS

- Instrument calibration
- Laboratories
- Production areas

## MODEL CHART

| Model  | Description                   |
|--------|-------------------------------|
| LPCP-2 | Low pressure calibration pump |

## SPECIFICATIONS

**Media:** Air.

**Output Ranges:** 5.8 psi (0.4 bar) vacuum to 5.8 psi (0.4 bar) positive pressure.

**Pressure Resolution:** 0.01 Pa; 0.0001 mbar.

**Process Connection:** M20\*1.5 or 1/4" NPT.

**Gage Connection:** M20\*1.5 or 1/4" NPT.

**Material:** Ram/adapters: 316 SS; Body: Steel/aluminum; Seals: Buna-N.

**Weight:** 2.21 lb (1.0 kg).

## ACCESSORIES

| Model  | Description   |
|--------|---|
| A-113A | Fitting kit. Includes (1) 1/4" NPT to 1/8" quick connect fitting, (1) 1/4" NPT to hose barb fitting, (1) hose barb fitting to 1/8" quick connect fitting, (2) 19.7" (0.5 m) length of blue 1/8" O.D. tubing, (2) 12" (0.3 m) length of clear 1/4" O.D. tubing |

USA: California Proposition 65

⚠WARNING: Cancer and Reproductive Harm - [www.P65Warnings.ca.gov](http://www.P65Warnings.ca.gov)