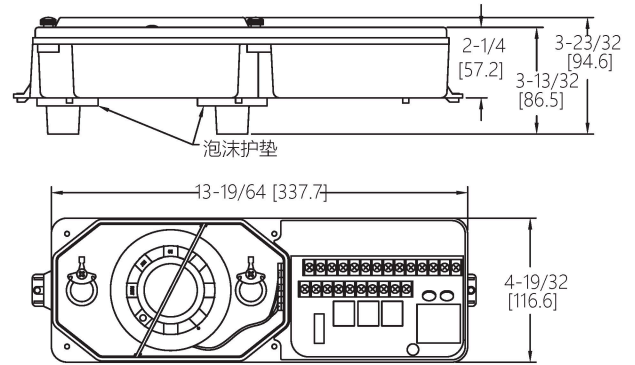
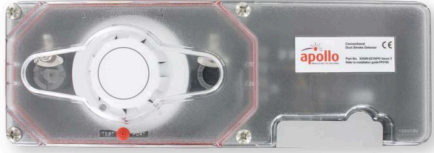


风管烟雾探测器

用于HVAC系统早期烟雾探测



SL-2000系列风管烟雾探测器对于HVAC管道系统中存在的烟雾和燃烧产物的及早检测是极其重要的。它可用于许多不同类型的应用场合，包括商业楼宇，工业厂房和住宅。不仅可以在检测到烟雾时发出警报，还有继电器输出来关闭送风系统或鼓风机。SL-2000系列风管烟雾探测器具有技术人员方便使用的“无需工具”功能，使安装和维护变得简单而高效。

特点与优势

- 用于100 - 4000英尺/分钟的风速
- 透明外盖可直接观察到探头LED
- 获得专利的“无需工具”功能，前后都可以装卸采样/排气管
- 集成式烟雾测试口

应用

- 风管系统中的早期烟雾检测
- 商业楼宇/工业厂房/住宅等的采暖通风空调系统
- 楼宇自动化系统

技术指标

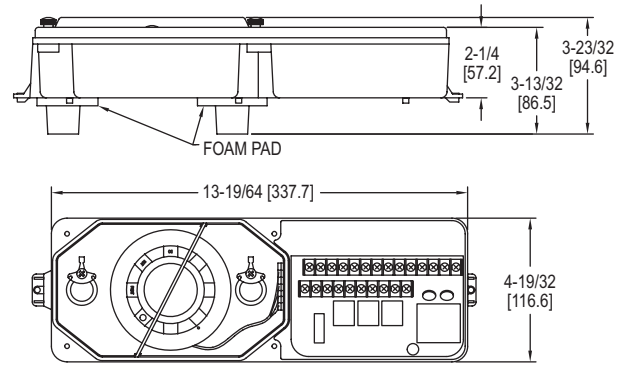
传感器类型: 光电式或离子式。
风速范围: 100 - 4000英尺/分钟。
环境温度: SL-2000-N: 32°F - 158°F (0°C - 70°C) ; SL-2000-P: 32°F - 140°F (0°C - 60°C) 。
湿度范围: 85±5%RH (@32±2°C; 86±3.6°F) 无冷凝/无冻结。
电源要求: 待机: 230VAC (12mA) , 115VAC (22mA) , 24VAC (55mA) 或 24VDC (14mA) ; 报警: 230VAC (18mA) , 115VAC (32mA) , 24VAC (190mA) 或 24VDC (68mA) 。
电气额定值: 报警触点: 2组C型10A resistive@115VAC, 1组A型额定值2A; 故障触点: 1组C型额定值10A@115VAC。
电气连接: 螺钉端子。
外壳: 灰色塑料底盒, 透明塑料盖 (Makrolon 94V-0) 。防护等级: SL-2000 : NEMA 1; WP-2000: NEMA 3R。
放射性元素: 镅241; 0.9微居里, 用于SL-2000-N (离子式) ; 请不要暴露在腐蚀性环境中。
重量: 2.5磅
批准: cULus (UL 268A) #S2829, CSFM符合 (3240-1004: 105) , MEA符合 (73-92-E; VOL.27) 。

型号表	
型号	传感器类型
SL-2000-N	常规, 4线, 通用电压, 离子式风管烟雾探测器
SL-2000-P	常规, 4线, 通用电压, 光电式风管烟雾探测器

附件	
型号	传感器类型
FAST TUBE	分段, 聚碳酸酯采样管, 每袋3个24"管
TG-2500	用于SL-2000的测试气体
WP-2000	用于SL-2000的全天候防护外壳
55000-225APO	用于替换的SL-2000-N离子式传感器
55000-328APO	用于替换的SL-2000-P光电式传感器

DUCT SMOKE DETECTOR

Early Smoke Detection in HVAC Systems



The **Series SL-2000 Duct Smoke Detector** is crucial for early detection of smoke and products of combustion present within HVAC ductwork. This series can be utilized in many different types of applications including commercial, industrial, and residential. The unit is designed to not only alarm when smoke is detected, but will also utilize relays to disable fans and blowers. The series comes complete with technician friendly "No-Tools Required" features to make installation and servicing simple and efficient.

FEATURES/BENEFITS

- Operates in air speeds of 100 to 4000 ft/min
- Transparent cover to view detector head LED
- Patented "No-Tools Required" front or rear loading and removing sampling/exhaust tubes
- Integrated smoke test port

APPLICATIONS

- Early smoke detection in ductwork
- Commercial/Industrial/Residential HVAC
- BAS automation

SPECIFICATIONS

Sensor Type: Photoelectric or Ionization.
Air Velocity Range: 100 to 4000 ft/min.
Ambient Temperature: SL-2000-N: 32°F to 158°F (0°C to 70°C); SL-2000-P: 32°F to 140°F (0°C to 60°C).
Humidity Limits: 85 ±5 % RH (@32 ±2°C; 86 ±3.6°F) Non-condensing/Non-freezing.
Power Requirements: Standby: 230 VAC (12 mA), 115 VAC (22 mA), 24 VAC (55 mA), or 24 VDC (14 mA); Alarm: 230 VAC (18 mA), 115 VAC (32mA), 24 VAC (190 mA), or 24 VDC (68 mA).
Electrical Rating: Alarm contacts: 2 sets form "C" rated at 10 A resistive @ 115 VAC and 1 set form "A" rated at 2 A; Trouble contacts: 1 set form "C" rated at 10 A @ 115 VAC.
Electrical Connections: Screw terminals.
Enclosure: Grey plastic backbox, clear plastic cover (Makrolon 94V-0).
Enclosure Rating: SL-2000: NEMA 1; WP-2000: NEMA 3R.
Radioactive Element: For SL-2000-N (Ionization) americium 241; 0.9 Micro-curie; Do not expose to corrosive atmospheres.
Weight: 2.5 lbs.
Approvals: cULus (UL 268A) file # S2829, CSFM listed (3240-1004:105), MEA accepted (73-92-E; VOL. 27).

MODEL CHART	
Model	Sensor Type
SL-2000-N	Conventional, 4 wire, universal voltage, ionization duct smoke detector
SL-2000-P	Conventional, 4 wire, universal voltage, photoelectric duct smoke detector

ACCESSORIES	
Model	Sensor Type
FAST TUBE	Sectional, polycarbonate sampling tube, bag of (3) 24" tubes
TG-2500	Test gas for SL-2000 models
WP-2000	Weatherproof enclosure for SL-2000 models
55000-225APO	Ionization replacement sensor for SL-2000-N
55000-328APO	Photoelectric replacement sensor for SL-2000-P