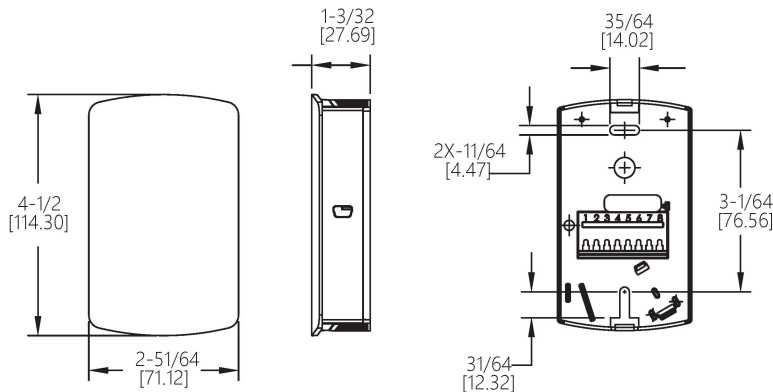


墙装式温湿度变送器

湿度精度2%或3%，多种温度输出方式



RHPLC墙装式温湿度变送器是一款用于楼宇自动化系统的经济简约型传感器。时尚的外壳使得传感器通风良好，以提高测量精度。采用高分子电容式传感元件输出线性模拟信号。温湿度组合型可以配置为电流、电压、RTD或热敏电阻输出。有多种热电阻或热敏电阻温度传感器可供选择。

功能/优点

- 2%或3%精度
- 单湿度或温湿度组合
- 各种热电阻或热敏电阻温度传感器

应用

- 空气节能器
- 房间舒适度监控

技术指标

传感器：高分子电容式。
相对湿度测量范围：0-100%相对湿度。
相对湿度精度：2%精度的是在湿度为10%-90%，温度25°C时达到2%精度；3%精度的是在湿度为20%-80%，温度25°C时达到3%精度。
相对湿度迟滞：±0.8%。
相对湿度可重复性：典型值为±0.1%。
温度输出范围：-40至140°F(-40至60°C)。
热敏电阻温度传感器精度：±0.36°F@77°F(±0.2°C@25°C)。
热电阻温度传感器精度：DIN B级；±0.3°C@0°C(±0.54°F@77°F)。
电流/电压温度输出精度：±0.9°F@72°F(±0.3°C@25°C)。
温度限制：工作温度：-40-140°F(-40-60°C)；储存温度：-40-176°F(-40-80°C)
电源要求：10 - 35VDC (4 - 20 mA 或 0 - 5 VDC 或 0 - 10VDC 输出)；10-29VAC (0-5VDC 或 0-10VDC 输出)。
响应时间：8s(t63)。
电气连接：螺丝端子排。
漂移：<0.25%相对湿度/年。
外壳材料：聚碳酸酯。
重量：4.4盎司(125克)。
机构认证：CE。

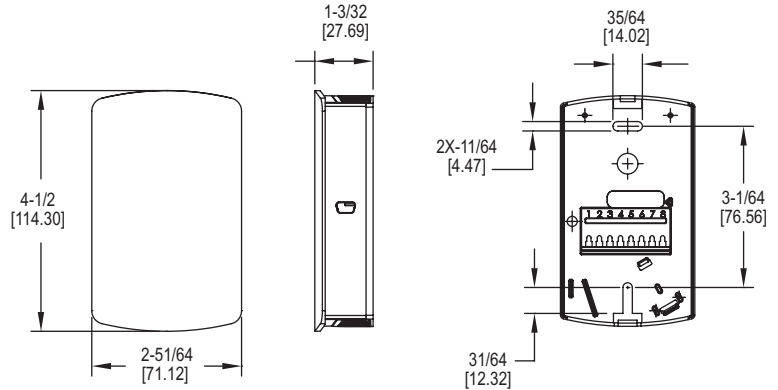
选型表	RHPLC-3N2A-FC						
举例	RHPLC	-3	N	2	A	-FC	RHPLC-3N2A-FC
系列号	RHPLC						温湿度变送器
精度		2					2%精度
		3					3%精度
外壳			N				北美型墙装式
湿度输出				1			电流4 - 20 mA
				2			电压 0 - 10 VDC
				3			电压 0 - 5 VDC
温度输出				0			无
				1			电流 4 - 20 mA
				2			电压 0 - 10 VDC
				3			电压 0 - 5 VDC
				A			10K Ω @ 25°C 热敏电阻 III型
				B			10K Ω @ 25°C 热敏电阻 II型
				C			3K Ω @ 25°C 热敏电阻 100 Ω
			D			热电阻 DIN 385	
			E			1K Ω 热电阻 DIN 385	
			F			20K Ω @ 25°C 热敏电阻	
选项						FC	工厂校准证书(3% 精度)

配件	
型号	描述
SCD-PS	100-240 VAC/VDC 到 24 VDC 转换电源
APT-40-5DN	交流电源变压器, 输入120/208/240/277/480 VAC, 隔离输出24 VAC, 40 VA, 双埠

如英文版与中文版有任何歧异，概以英文版为准。
 In case of any inconsistency between English and Chinese version, the English version shall prevail.
Translated and edited by William J.

WALL MOUNT HUMIDITY/TEMPERATURE TRANSMITTER

2% or 3% Humidity Sensor, Passive Temperature Outputs



The **Series RHPLC Wall Mount Humidity/Temperature Transmitter** is a compact economical sensor for the building automation marketplace. The stylish housing is well vented to provide air flow across the sensor to improve measurement accuracy. Each unit utilizes a capacitive polymer sensing element to deliver a proportional analog output. A combination humidity and temperature model can be configured with current, voltage, RTD, or thermistor output. A wide selection of passive RTD or thermistor temperature sensors are available in this series.

FEATURES/BENEFITS

- 2% or 3% accuracy models
- Humidity only or temperature and humidity combo
- Wide selection of passive thermistor or RTD temperature sensors

APPLICATIONS

- Air economizers
- Room comfort monitoring

SPECIFICATIONS

Sensor: Capacitive polymer.
Relative Humidity Range: 0-100% RH.
RH Accuracy: ±2% 10 to 90% RH @ 25°C for 2% accuracy units; ±3% 20 to 80% RH @ 25°C for 3% accuracy units.
RH Hysteresis: ±0.8%.
RH Repeatability: ±0.1% typical.
Temperature Output Range: -40 to 140°F (-40 to 60°C).
Passive Thermistor Temperature Sensor Accuracy: ±0.36°F @ 77°F (±0.2°C @ 25°C).
Accuracy RTD Temp Sensor: DIN Class B; ±0.3°C @ 0°C (±0.54°F @ 77°F).
Accuracy Current/Voltage Temperature Output: ±0.9°F @ 72°F (±0.3°C @ 25°C).
Temperature Limits: Operating: -40 to 140°F (-40 to 60°C); Storage: -40 to 176°F (-40 to 80°C).
Power Requirements: 10 to 35 VDC for 4 to 20 mA or 0 to 5 VDC output; 15 to 35 VDC for 0 to 10 VDC output; 10 to 29 VAC for 0 to 5 VDC output; 15 to 29 VAC for 0 to 10 VDC output.
Response Time: 8 s (τ₆₃).
Electrical Connections: Screw terminal block.
Drift: <0.25% RH/year.
Enclosure Material: Polycarbonate.
Weight: 4.4 oz (125 g).
Agency Approvals: CE.

MODEL CHART							
Example	RHPLC	-3	N	2	A	-FC	RHPLC-3N2A-FC
Series	RHPLC						Humidity/temperature transmitter
Accuracy		2					2% accuracy
		3					3% accuracy
Housing			N				North American style wall mount
Humidity Output				1			Current 4 to 20 mA
				2			Voltage 0 to 10 VDC
				3			Voltage 0 to 5 VDC
Temperature Output					0		None
					1		Current 4 to 20 mA
					2		Voltage 0 to 10 VDC
					3		Voltage 0 to 5 VDC
					A		10K Ω @ 25°C thermistor type III
					B		10K Ω @ 25°C thermistor type II
					C		3K Ω @ 25°C thermistor
					D		100 Ω RTD DIN 385
					E		1K Ω RTD DIN 385
					F		20K Ω @ 25°C thermistor
Options						FC	Factory calibration certificate (3% accuracy units)

ACCESSORIES	
Model	Description
SCD-PS	100-240 VAC/VDC to 24 VDC power supply
APT-40-SDN	AC power transformer, 120/208/240/277/480 VAC input, 24 VAC isolated output, 40 VA, dual hub