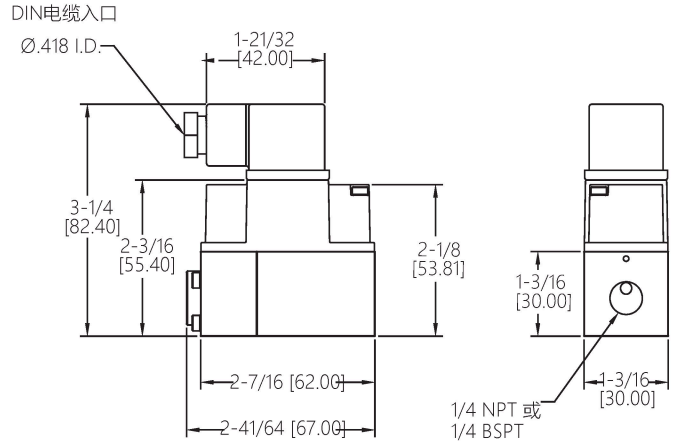
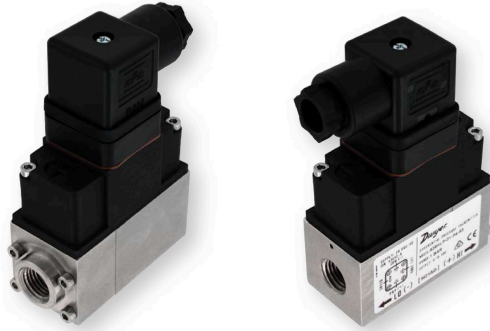


差压变送器

精度高, IP65防护



629HLP系列差压变送器适用于测量兼容气体和液体中的正压, 负压或差压, 精度为±1%。629HLP适用于商业、工业应用场合或卫生应用环境中的差压测量。双压力传感器将压力的差别转换为标准的4-20mA或0-10VDC输出信号。

特点与优势

- 坚固耐用, 功能多, 精度高
- 适用于需要精确测量的液体或气体系统
- 出色的及时响应功能和可靠性
- 全面适用于静态和动态测量
- 将压力变化转换为4-20mA或0-10VDC输出信号
- 结构紧凑, 重量轻, 能用于多种场合, 安装简便

应用

- 换热器
- 风机盘管/空气处理机
- 测试应用
- 液压系统
- 高静压/低差压
- 泵
- 商业/工业过程
- 卫生工业过程

选型表						
举例	629HLP	-01	-P2	-S1	-FC	629HLP-01-P2-S1-FC
系列号	629HLP					差压变送器
量程		01				0 - 1 bar
		02				0 - 2.5 bar
		04				0 - 4 bar
		06				0 - 6 bar
		15				0 - 15 psi
		30				0 - 30 psi
		60				0 - 60 psi
		90				0 - 90 psi
过程连接			P2			1/4" NPT内螺纹
			P4			1/4" BPST内螺纹
输出信号				S1		4 - 20 mA
				S5		0 - 10 VDC
选项					FC	工厂校准证书
					NIST	NIST校准证书

注意: 可根据要求定制PSI量程。请联系工厂了解详情。

技术指标

介质: 兼容气体或液体。
 接液材料: 304不锈钢。
 外壳材料: ABS。
 外壳防护等级: IP65。
 精度: ±1%, 从-5至60°C(23至140°F)。
 稳定性: ±1%FS/年。
 温度限制: 环境温度: -10至60°C(14至122°F); 工艺温度: -10至80°C(14至176°F)。
 相对湿度: 10%至90%无凝结水。
 安装位置: 任意。
 压力限制: 见差压量程对应限制表。
 爆裂压力: 见差压量程对应限制表。
 静压限制: 见差压量程对应限制表。
 输出信号: 4-20mA, 0-10VDC。
 响应时间: 50ms。
 额定电源电压: 0-10VDC; 12-36VDC或12-32VAC(@最大负载2 kΩ); 4-20mA: 8-36VDC。
 最大回路电阻: 对于4至20mA输出: =(电源电压-8V)/0.02。
 功耗: 电压输出最大13mA, 电流输出最大24mA。
 电气连接: A型DIN43650。
 过程连接: 1/4"NPT内螺纹, 1/4" BSPT内螺纹。
 重量: 1磅4盎司(567克)。
 认证: CE、RCM。

耐压参数对照表

差压量程	最大静压 (bars)	*最大差压	**最大爆裂差压
0 to 1 bar	25 bar	5 bar	8 bar
0 to 2.5 bar	25 bar	5 bar	8 bar
0 to 4 bar	25 bar	12 bar	18 bar
0 to 6 bar	25 bar	12 bar	18 bar
0 to 15 psi	360 psi	70 psi	115 psi
0 to 30 psi	360 psi	70 psi	115 psi
0 to 60 psi	360 psi	174 psi	260 psi
0 to 90 psi	360 psi	174 psi	260 psi

注意:

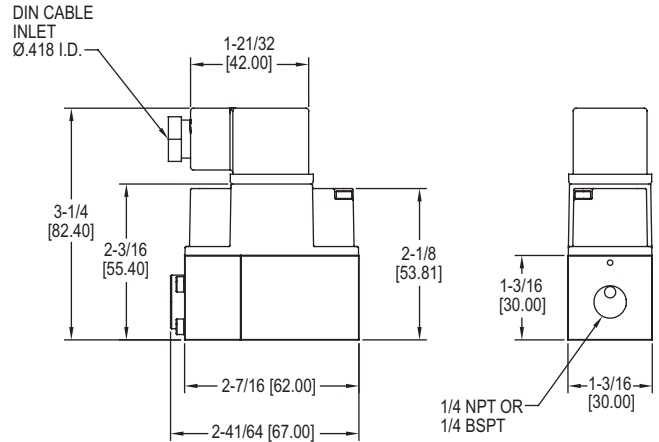
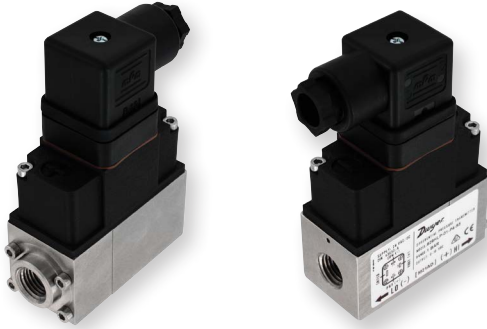
*高压端口和低压端口之间的压差限制, 变送器可以承受的范围并且不影响变送器性能
 **高压端口和低端口之间的压差超过过压限制将导致永久性隔膜变形, 任何高于爆裂压力限制的压力都会使隔膜爆裂。

配件

型号	描述
A-629HLP-BKT	安装背板套件
BBV-1B	三阀组
A-228	12英寸不锈钢挠性管

DIFFERENTIAL PRESSURE TRANSMITTERS

High Accuracy, IP65 Enclosure



The **Series 629HLP Differential Pressure Transmitters** are suitable for measuring over-pressure, under-pressure, and differential pressure in compatible gases and liquids with 1% accuracy. The 629HLP is suitable for all measuring tasks in commercial, industrial or sanitary applications. Its single sensor design, allows it to measure small increment pressure changes, and converts them to a linear analog output signal from 4 to 20 mA or 0 to 10 VDC.

FEATURES/BENEFITS

- Rugged, versatile, high accuracy device
- For liquid or gas systems requiring precise measurements
- Provide excellent response and reliability
- Suitable for static and dynamic measurements
- Converts pressure changes into 4 to 20 mA or 0 to 10 VDC output
- Compact, lightweight, capable to be installed in any arrangement making installation very simple

APPLICATIONS

- Heat exchangers
- Fan coils/air handlers
- Core testing applications
- Hydraulic systems
- High line pressures/low DP
- Pumps
- Commercial/industrial processes
- Sanitary process

MODEL CHART						
Example	629HLP	-01	-P2	-S1	-FC	629HLP-01-P2-S1-FC
Series	629HLP					Differential pressure transmitter
Range		01				0 to 1 bar
		02				0 to 2.5 bar
		04				0 to 4 bar
		06				0 to 6 bar
		15				0 to 15 psi
		30				0 to 30 psi
		60				0 to 60 psi
		90				0 to 90 psi
Process Connections			P2			1/4" female NPT
			P4			1/4" female BPST
Output Signal				S1		4 to 20 mA
				S5		0 to 10 VDC
Options					FC	Factory calibration
					NIST	NIST certificate

Note: PSI ranges available upon request. Contact factory for details.

SPECIFICATIONS

Service: Compatible gases or liquids.
Wetted Material: 304 SS.
Housing Material: ABS.
Enclosure Rating: IP65.
Accuracy: ±1% from -5 to 60°C (23 to 140°F).
Stability: ±1% FS/year.
Temperature Limits: Ambient: -10 to 60°C (14 to 122°F); Process: -10 to 80°C (14 to 176°F).
Relative Humidity: 10% to 90% non-condensing.
Installation Position: Not position sensitive.
Pressure Limits: See Pressure Range Limits chart.
Burst Pressure: See Pressure Range Limits chart.
Static Pressure Limits: See Pressure Range Limits chart.
Output Signal: 4 to 20 mA, 0 to 10 VDC.
Response Time: 50 ms.
Rated Supply Voltage: 0 to 10 VDC Output: 12 to 36 VDC or 12 to 32 VAC (@ Max load of 2k Ω) 4 to 20mA output: 8 to 36 VDC.
Max Loop resistance: (Supply Voltage – 8 V) / 0.02 for 4 to 20mA output.
Power Consumption: $V_{out} = 13 \text{ mA max, } I_{out} = 24 \text{ mA max.}$
Electrical Connections: Form A DIN 43650.
Process Connections: 1/4" female NPT, 1/4" female BSPT.
Weight: 1 lb 4 oz (567 g).
Approvals: CE, RCM.

PRESSURE RANGE LIMITS

Pressure Range	Maximum Static Pressure (bars)	*Maximum Differential Over Pressure	**Burst Differential Pressure
0 to 1 bar	25 bar	5 bar	8 bar
0 to 2.5 bar	25 bar	5 bar	8 bar
0 to 4 bar	25 bar	12 bar	18 bar
0 to 6 bar	25 bar	12 bar	18 bar
0 to 15 psi	360 psi	70 psi	115 psi
0 to 30 psi	360 psi	70 psi	115 psi
0 to 60 psi	360 psi	174 psi	260 psi
0 to 90 psi	360 psi	174 psi	260 psi

Note: *The differential pressure limit, between high and low ports, that the transmitter can withstand without affecting transmitter performance
******Differential pressures between high and low ports that exceed overpressure limits will result in permanent diaphragm deformation, and any pressure higher than the burst pressure limits will rupture the diaphragm.

ACCESSORIES

Model	Description
A-629HLP-BKT	Mounting bracket kit
BBV-1B	3-Valve block manifold
A-228	12" SS flex hose