

Series 2000-BA

Magnehelic® Differential Pressure Gages



Benefits/Features

- Quick response to pressure drops alerts to changing conditions
- Durable IP66 housing permits usage in a variety of indoor and outdoor environmental conditions
- Designed for easy and quick installation and long service life
- Offered in standard ranges for simple ordering and fast delivery

Applications

- Filter monitoring
- Fan pressure indication
- Duct, room, or building pressures
- Room positive pressure indication

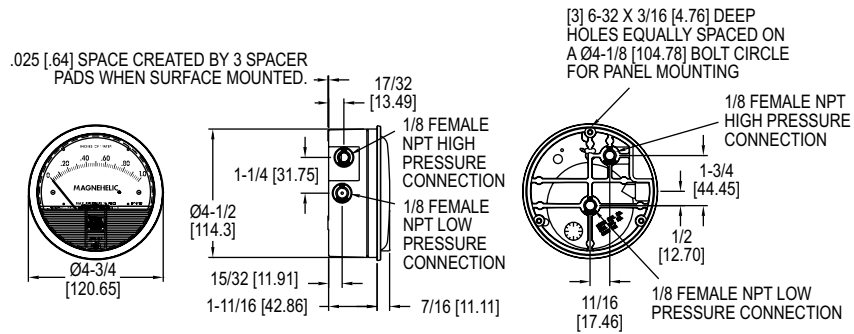
Description

The **Series 2000 Magnehelic® Differential Pressure Gages** is an excellent low differential gage that meets many applications where easy installation, no power requirements, and long product life are valued. The Magnehelic® supports many standard ranges making ordering simple and quick delivery.

Specifications

Accuracy	±3-5%.
Gage Lens	UV acrylic.
Warranty	2 years.
Housing	Die cast aluminum.
Diameter Size	4".
Enclosure Rating	IP66.
Temperature Limits	-7 to 60°C (20 to 140°F).
Pressure Ranges	±3% of FS on 500 Pa, 750 Pa, 1000 Pa, 1250 Pa, 1500 Pa, 2000 Pa, 2500 Pa; 1 kPa, 1.5 kPa, 2.0 kPa, 2.5 kPa; 40 mm, 50 mm, 60 mm, 80 mm, 100 mm, 125 mm, 150 mm, 200 mm, 250 mm, 300 mm. ±4% of FS on 100 Pa, 125 Pa, 250 Pa, 300 Pa, 350 Pa; 10 mm, 15 mm, 20 mm, 25 mm, 30 mm, 35 mm. ±5% of FS on 60 Pa.
Pressure Limits	34.5 kPa.
Options	Standard mounting hardware included.
Sensing Direction	Positive Unidirectional.
Compliance	EU RoHs.

Dimensions



How to Order

Use the **bold** characters from the chart below to construct a product code.

